

## WARNINGS :

Risk of fire or electric shock. Luminaire wiring and electrical parts may be damaged when drilling for installation of LED retrofit kit. Check enclosed wiring and components for damage.

Risk of fire or electric Shock. LED Retrofit Kit installation requires knowledge of luminaires electrical system. If not qualified, do not attempt installation. Contact a qualified electrician.

Risk of fire or electric shock. Install this kit only in the luminaires that have the construction features and dimensions shown in the photographs and/or drawings.

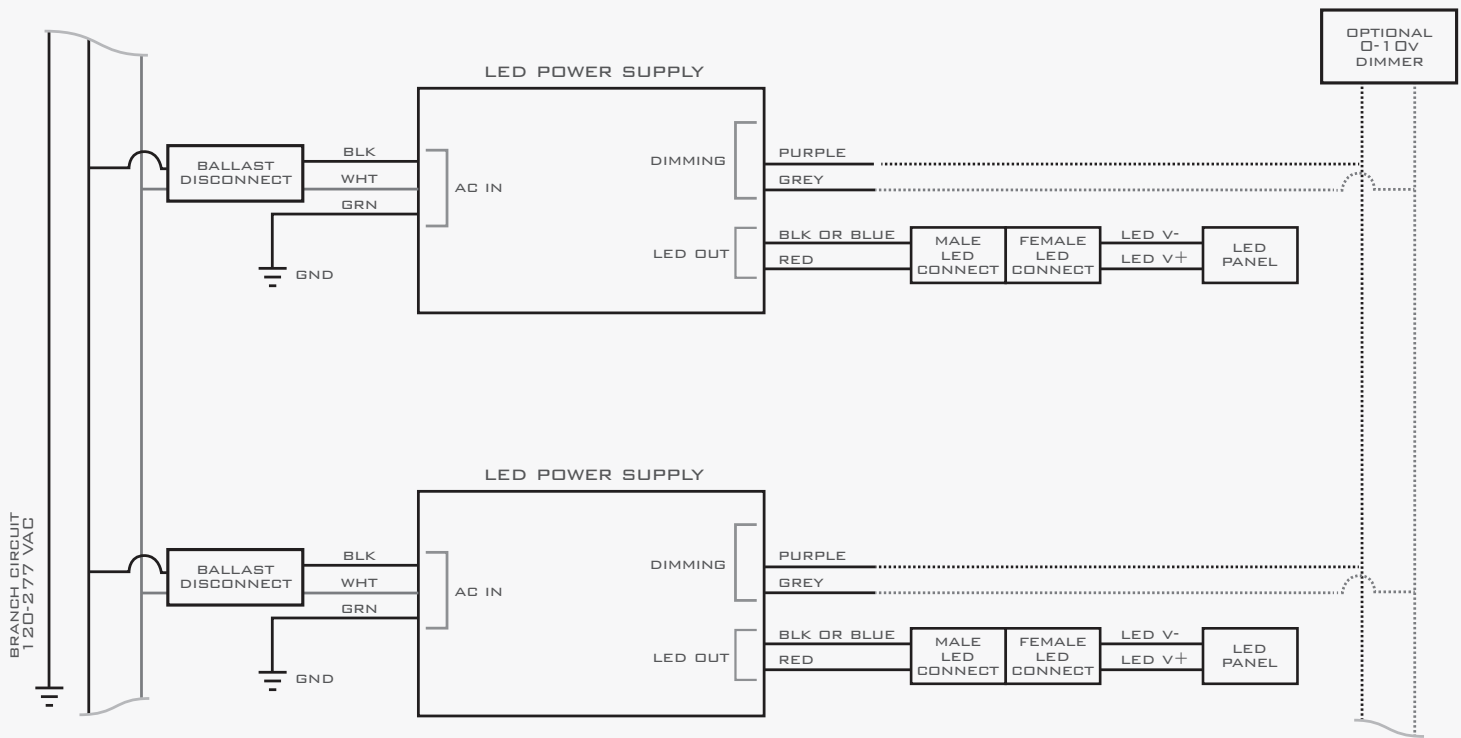
To prevent wiring damage or abrasion, do not expose wiring to edges of sheet metal or other sharp objects.

## EXISTING LUMINAIRE MODIFICATIONS

### STANDARD INSTALLATION

- 1 Turn off power & remove lamps and ballast cover.
- 2 Remove socket straps, disconnect old ballast and strip supply wires to 3/8".
- 3 Attach hanging tethers using self-tapping screws.
- 4 Adhere the LED power supply to the fixture using the adhesion strip on the back.
- 5 Connect the AC Power to the Ballast Disconnect.
- 6 Attach the driver ground wire to the fixture using self-tapping screws.
- 7 Connect the ends of the ballast disconnect.
- 8 Open telescoping flanges to widest position.
- 9 Plug the retrofit assembly into the driver.
- 10 Pull on the tethers while pushing the retrofit assembly against the existing fixture.
- 11 Remove or hide excess tether.
- 12 Squeeze the telescoping flanges against the fixture to center the retrofit assembly with the existing fixture.
- 13 Turn on power.

## APPENDIX A - WIRING DIAGRAM



**DO NOT RUN BRANCH CIRCUITS THROUGH DIMMING CONTROLLERS. USE ONLY 0-10V DIMMING CONTROLS CONNECTED TO DRIVER DIMMING LEADS.**